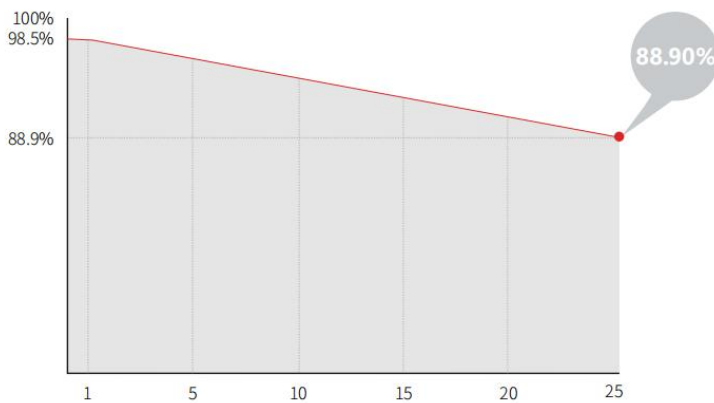


SVM10-108B

415-435W



25-Year Power Warranty



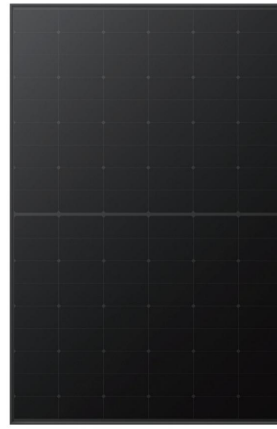
15-year Warranty for Materials and Processing



25-year Warranty for Extra Linear Power Output

- Suitable for Distribution Market
- Pure black for extreme elegance
- Better energy generation performance
- High-quality module guarantees long-term reliability

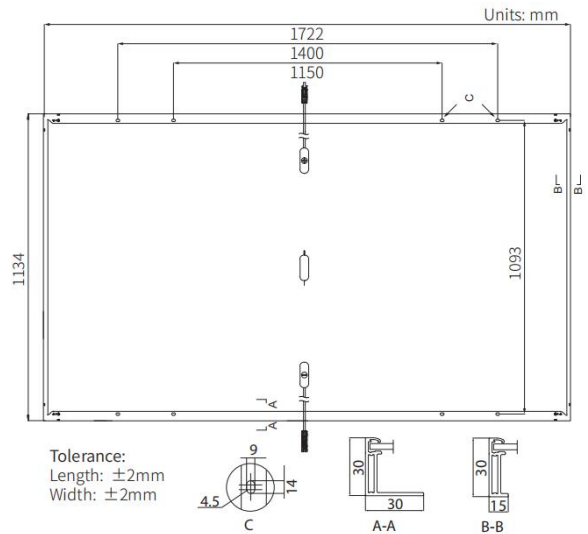




SVM10-(415~435)-108B

Mechanical Parameters

Cell Orientation	108 (6×18)
Junction Box	IP68
Output Cable	4mm ² , ±1200mm length can be customized
Glass	Single glass, 3.2mm coated tempered glass
Frame	Anodized aluminum alloy frame
Weight	20.8kg
Dimension	1722×1134×30mm
Packaging	36pcs per pallet / 216pcs per 20' GP / 936pcs per 40' HC



Electrical Characteristics

Model	SVM10-415-108B		SVM10-420-108B		SVM10-425-108B		SVM10-430-108B		SVM10-435-108B	
	STC	NOCT	STC	NOCT	STC	NOCT	STC	NOCT	STC	NOCT
Max-power Pm(W)	415	310	420	314	425	318	430	321	435	325
Open-circuit voltage Voc(V)	38.83	36.46	39.03	36.65	39.23	36.83	39.43	37.02	39.63	37.21
Open-circuit current Isc(A)	13.78	11.13	13.85	11.19	13.93	11.25	14.00	11.31	14.08	11.37
Max-power voltage Vmp(V)	32.56	29.71	32.76	29.89	32.96	30.08	33.16	30.26	33.36	30.44
Max-power current Imp(A)	12.75	10.44	12.83	10.50	12.90	10.56	12.97	10.62	13.05	10.68
STC: AM 1.5, 1000W/m ² , 25°C						NOCT: AM 1.5, 800W/m ² , 20°C, 1m/s				

Temperature Ratings (STC)

Nominal Module Operating Temperature	45±2°C
Temperature Coefficient Of Pmax (%/°C)	-0.290
Temperature Coefficient Of Voc (%/°C)	-0.230
Temperature Coefficient Of Isc (%/°C)	0.050

Operating Parameters

Operating Temperature	-40~ + 85°C
Storage Temperature	-40~ + 85°C
Maximum Series Fuse Rating	25A
Maximum System Voltage	DC1500V